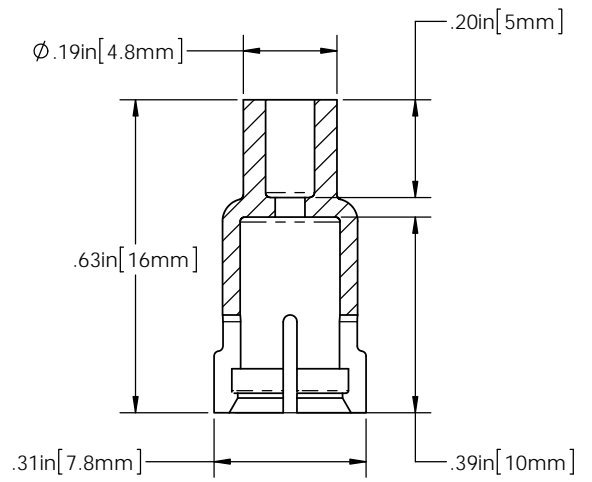
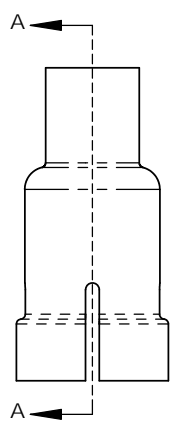
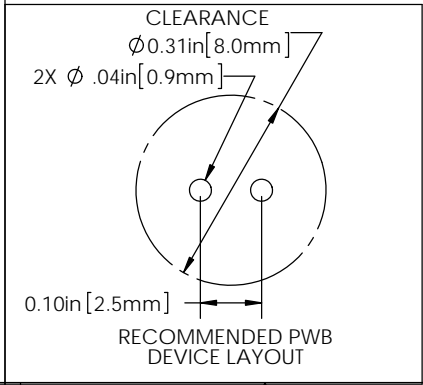
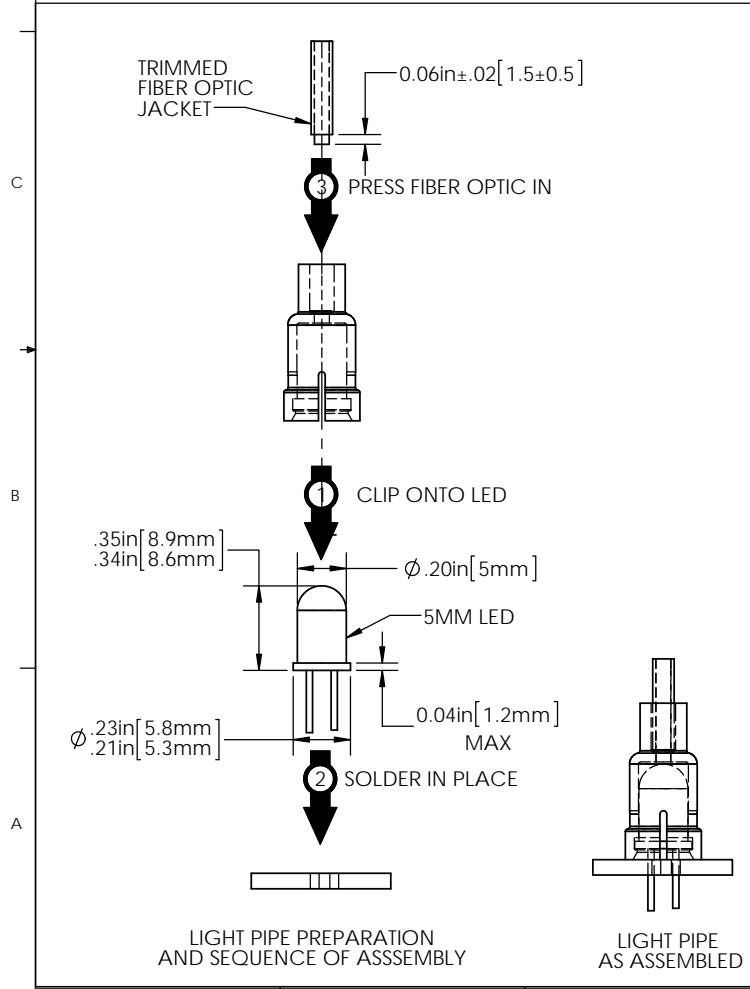
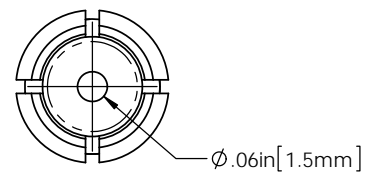


8 7 6 5 4 3 2 1

- NOTES
1. ROHS COMPLIANT.
 2. UL 94-HB FLAMMABILITY RATING.
 3. -40°C TO 85°C OPERATING TEMPERATURE.
 4. SUITABLE FOR LIGHT PIPE WITH Ø2.2MM JACKET AND OPTICAL CORE NO GREATER THAN Ø1.5MM.
 5. DO NOT WAVE SOLDER WITH THIS DEVICE.
 6. FOR BEST RESULTS USE ONLY NARROW VIEWING ANGLE NON-DIFFUSED LEDS WITH OUTPUT POWER GREATER THAN 100mcd.

REVISIONS					
ECN #	REV.	DESCRIPTION	DATE	INITIALS	CHK'D
388	000	INITIAL RELEASE	1/4/12	KH	AZ



SECTION A-A
SCALE 4 : 1

DIMENSION STYLE: INCHES (MM) GENERAL TOLERANCES UNLESS OTHERWISE SPECIFIED		APPROVAL	DATE
INCHES	MM	DRAWN	KHOWARD
X	±.010	±.250	1/4/12
XX	±.005	±.127	
XXX	±.001	±.025	
SURFACE FINISH: ✓ BREAK ALL EDGES AND SHARP CORNERS		MATERIAL	
ANGLE: 1/2°		NYLON 6/6, BLACK UL 94-HB	
THIRD ANGLE PROJECTION		FINISH	
THE INFORMATION CONTAINED IN THIS DRAWING IS THE SOLE PROPERTY OF VISUAL COMMUNICATIONS COMPANY, INC. ANY REPRODUCTION IN PART OR AS A WHOLE WITHOUT THE WRITTEN PERMISSION OF VISUAL COMMUNICATIONS COMPANY, INC IS PROHIBITED.		SEE NOTES	
		DO NOT SCALE DRAWING	

VCC OPTOELECTRONICS

190 BOSSTICK BLVD. SUITE 101 SAN MARCOS, CA 92069 U.S.A.
PHONE: (760) 560-1300, FAX: (760) 560-1301 EMAIL: vccsales@vcc3ite.com

TITLE: **MOUNT, 5mm THROUGH-HOLE LED**

SIZE	DWG. NO.	REV
B	THR 5 22	000

SCALE: 5:1 SHEET 1 OF 1

8 7 6 5 4 3 2 1